

## Submersible pumps

-  Filthy water
-  Domestic use
-  Civil use
-  Industrial use



### PERFORMANCE RANGE

- Flow rate up to **850 l/min** (51 m<sup>3</sup>/h)
- Head up to **26 m**

### APPLICATION LIMITS

- **10 m** maximum immersion depth (with a sufficiently long power cable)
- Maximum liquid temperature **+40 °C**
- Passage of suspended solids up to **Ø 40 mm**
- Minimum immersion depth for continuous service: **450 mm**

### CONSTRUCTION AND SAFETY STANDARDS

- **10 m** long power cable
- External float switch and control box for single-phase versions

EN 60335-1  
IEC 60335-1  
CEI 61-150

EN 60034-1  
IEC 60034-1  
CEI 2-3



### CERTIFICATIONS

Company with management system certified DNV  
ISO 9001: QUALITY  
ISO 14001: ENVIRONMENT



### INSTALLATION AND USE

The **VX 40** series of pumps, manufactured from stainless steel and heavy gauge robust cast iron, resistant to abrasion and long-lasting, are fitted with a VORTEX impeller and are therefore suitable for draining **dirty, filthy and reflux water, and water mixed with putrid mud**. They are suitable for installation in sewers, tunnels, excavations, canals, underground car parks, etc.

### PATENTS - TRADE MARKS - MODELS

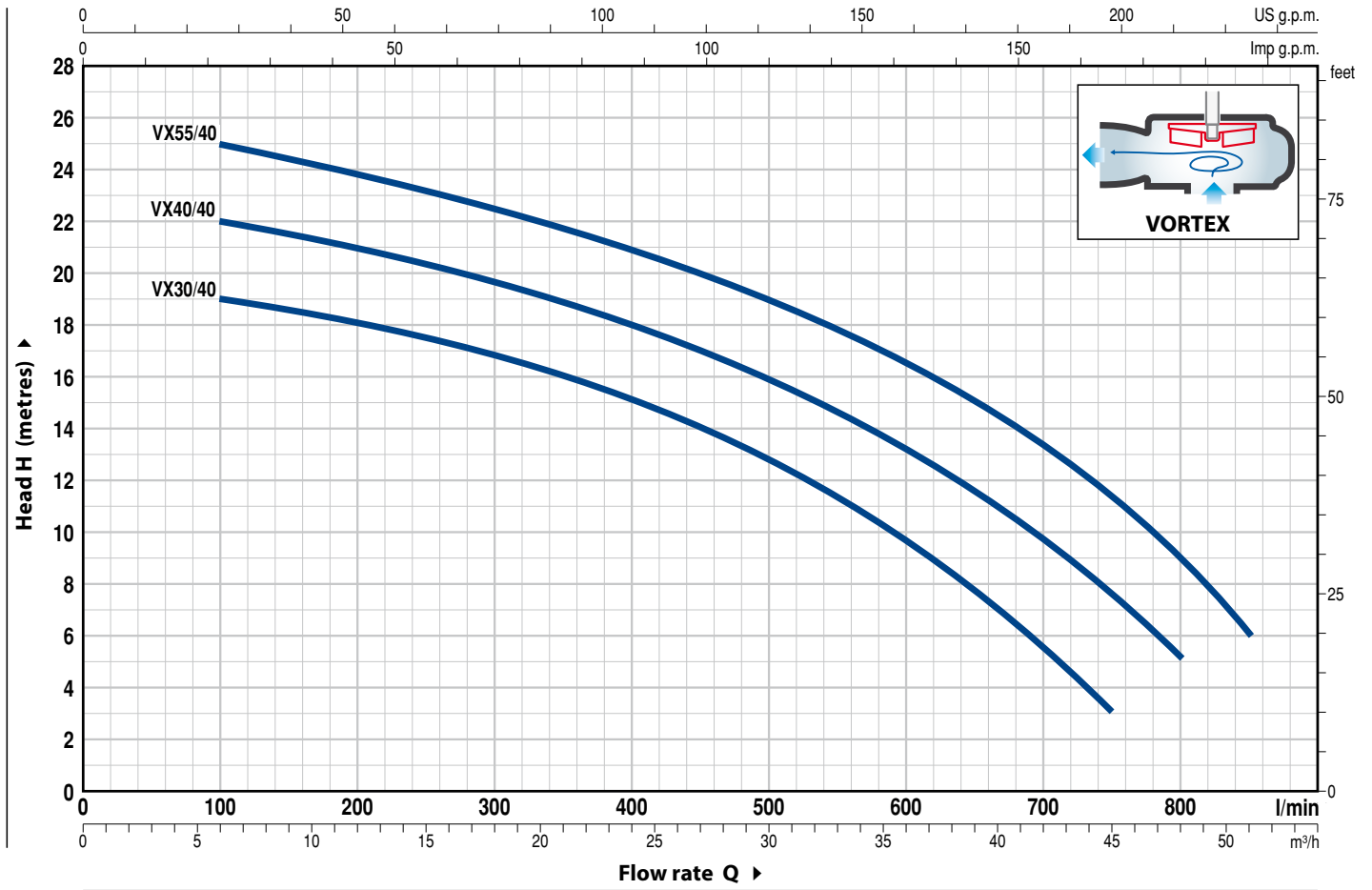
- Patent Pending

### OPTIONS AVAILABLE ON REQUEST

- Single-phase pumps without float switch
- Other voltages or 60 Hz frequency

**CHARACTERISTIC CURVES AND PERFORMANCE DATA**

50 Hz n= 2900 min<sup>-1</sup>



MODEL		POWER (P <sub>2</sub> )		Q	Flow rate														
Single-phase	Three-phase	kW	HP		m <sup>3</sup> /h	0	6	12	18	24	30	36	42	45	48	51			
				l/min	0	100	200	300	400	500	600	700	750	800	850				
VXm 30/40	VX 30/40	2.2	3	H metres	20	19	18	17	15	13	9.6	5.5	3						
-	VX 40/40	3	4		23	22	21	19.5	18	16	13	9.8	7.5	5					
-	VX 55/40	4	5.5		26	25	23.8	22.5	21	19	16.5	13.5	11.5	9	6				

Q = Flow rate H = Total manometric head

Tolerance of characteristic curves in compliance with EN ISO 9906 Grade 3B.

## POS. COMPONENT CONSTRUCTION CHARACTERISTICS

<b>1 PUMP BODY</b>	Cast iron with an Epoxy Electro Coating treatment, with threaded port in compliance with ISO 228/1				
<b>2 IMPELLER</b>	VORTEX type in cast iron with an Epoxy Electro Coating treatment				
<b>3 MOTOR CASING</b>	Stainless steel AISI 304				
<b>4 CASING</b>	Cast iron with an Epoxy Electro Coating treatment				
<b>5 MOTOR SHAFT</b>	Stainless steel AISI 431				
<b>6 TWO MECHANICAL SEALS SEPARATED BY AN OIL CHAMBER</b>					
<i>Seal Model</i>	<i>Shaft Diameter</i>	<i>Position</i>	<i>Stationary ring</i>	<i>Rotational ring</i>	<i>Materials Elastomer</i>
<b>ED560-25</b>	<b>Ø 25 mm</b>	Motor side Pump side	Ceramic Silicon carbide	Graphite Silicon carbide	NBR NBR
<b>7 BEARINGS</b>	<b>6306 ZZ C3 / 6304 ZZ C3</b>				

### 8 ELECTRIC MOTOR

**VXm 40:** single-phase 220-230 V - 50 Hz

**VX 40:** three-phase 400 V - 50 Hz  
with thermal overload protector incorporated into the winding

- Insulation: class F
- Protection: IP X8

### 9 POWER CABLE

"H07 RN-F" type

**Standard length 10 metres**

### 10 FLOAT SWITCH

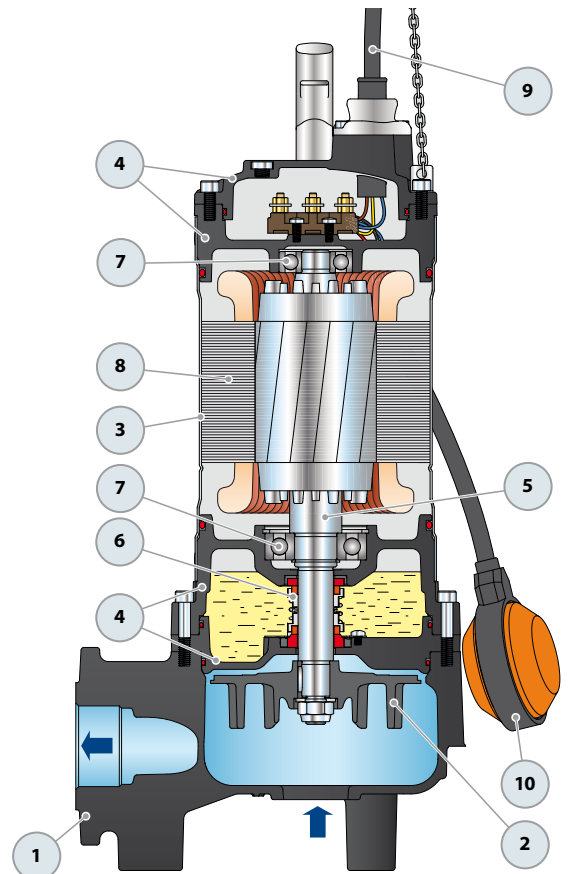
(only for single-phase versions)

### 11 CONTROL BOX

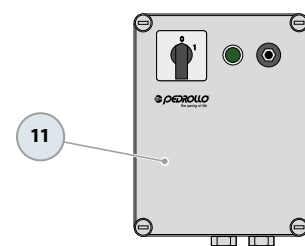
(only for single-phase versions)

With manual overload cut-out and with capacitors for starting and operating.

<i>Pump Single-phase (220-230 V o 240 V)</i>	<i>Capacitance of the operating capacitor</i>	<i>Capacitance of the starting capacitor</i>
<b>VXm 30/40</b>	<b>70 µF 450 VL</b>	<b>80 µF 450 VL</b>

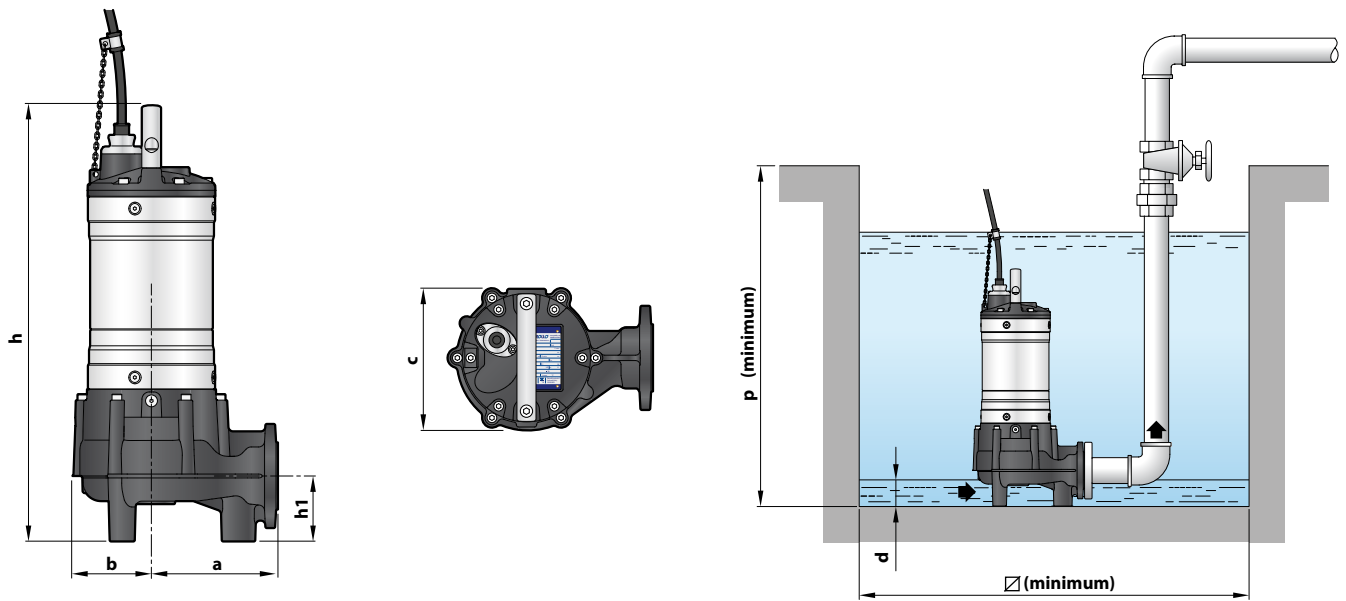


#### Standard features



**Control box**  
(only for single-phase version)

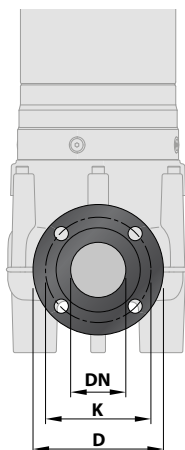
## DIMENSIONS AND WEIGHT



MODEL		Passage of solids	DIMENSIONS mm								kg	
Single-phase	Three-phase		a	b	c	h	h1	d	p	Ø	1~	3~
VXm 30/40	VX 30/40	Ø 40 mm	170	107	192	627	88	60	700	500	56.0	48.9
-	VX 40/40										-	49.0
-	VX 55/40										-	54.4

## FLANGED PORT

MODEL		PORT DN	K mm	D mm	HOLES	
Single-phase	Three-phase				N°	Ø (mm)
VXm 30/40	VX 30/40	2"	110	140	4	14
-	VX 40/40					
-	VX 55/40					



## ABSORPTION

MODEL	VOLTAGE
Single-phase	230 V
VXm 30/40	15.5 A

MODEL	VOLTAGE
Three-phase	400 V
VX 30/40	5.0 A
VX 40/40	5.8 A
VX 55/40	7.0 A

## PALLETIZATION

MODEL		GROUPAGE	CONTAINER
Single-phase	Three-phase	n. pumps	n. pumps
VXm 30/40	VX 30/40	10	10
-	VX 40/40	10	10
-	VX 55/40	10	10